

## 22.5mm / 30A CoolTech Solid State Relays

### Horizontal Spacing @ 25°C Ambient\*

Load Current	Minimum Spacing
30.0 amps	10mm
28.5 amps	5mm
≤ 27.0 amps	0mm

### Horizontal Spacing @ 40°C Ambient\*

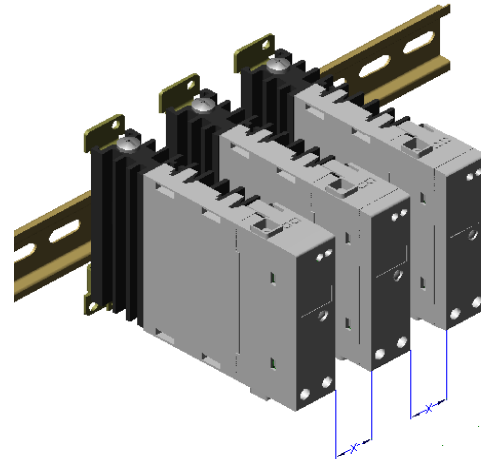
Load Current	Minimum Spacing
27.0 amps	10mm
25.5 amps	5mm
≤ 24.0 amps	0mm

### Vertical Spacing @ 25°C Ambient\*

Load Current	Minimum Spacing
30.0 amps	80mm
27.0 amps	40mm
≤ 24.0 amps	0mm

### Vertical Spacing @ 40°C Ambient\*

Load Current	Minimum Spacing
27.0 amps	80mm
24.0 amps	40mm
≤ 21.0 amps	0mm



Horizontal Spacing

## 45mm / 45A CoolTech Solid State Relays

### Horizontal Spacing @ 25°C Ambient\*

Load Current	Minimum Spacing
45.0 amps	10mm
43.5 amps	5mm
≤ 42.0 amps	0mm

### Horizontal Spacing @ 40°C Ambient\*

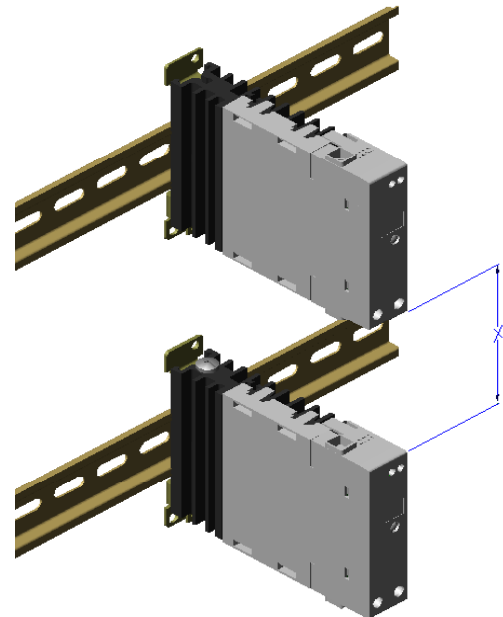
Load Current	Minimum Spacing
40.0 amps	10mm
39.5 amps	5mm
≤ 39.0 amps	0mm

### Vertical Spacing @ 25°C Ambient\*

Load Current	Minimum Spacing
45.0 amps	80mm
42.0 amps	40mm
≤ 39.0 amps	0mm

### Vertical Spacing @ 40°C Ambient\*

Load Current	Minimum Spacing
40.0 amps	80mm
39.0 amps	40mm
≤ 36.0 amps	0mm



Vertical Spacing

**\*Ambient temperature is the temperature inside the panel during normal operation of the solid-state relays.**